

## FILTRATION

---

Start the irrigation system properly with clean, filtered water. Choose from our wide product range the units or systems that best suit the needs of the greenhouses, nurseries, crops and hydroponic facilities.

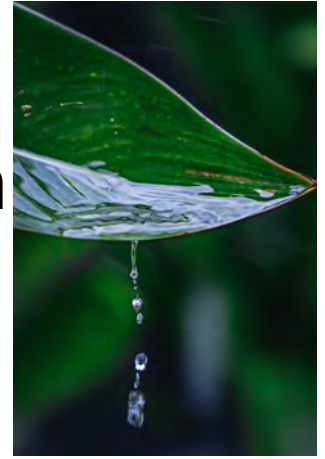


Intra Trading & Consulting

Phone: +30 2310 580 060  
WhatsApp: +30 6974452956  
email: [sales@intra.gr](mailto:sales@intra.gr)  
web: [www.intra.gr](http://www.intra.gr)



# Filtration



## 1 | MANUAL FILTERS

- FY Screen Filter
- Pg.2** FYLCM Screen Brush Filter  
FYCIC Cyclone Filter
- FL Screen Filter
- Pg.3** FCY Strainer PN10 Y type  
FCL Strainer PN10 L type  
HD Hydrocyclone
- Pg.4** FL Disc Filter L type  
FY Disc Filter Y type

## 2 | MEDIA FILTERS

- FAB with Arm Collectors
- Pg.6** FAC with Filter Nozzles  
Dual Chamber Manual  
Dual Chamber Automatic
- MFAB Modular Media, Arm Collectors MANUAL
- MFAB Modular Media, Arm Collectors AUTO
- Pg.7** MFAC Modular Media, Nozzles Plate MANUAL  
MFAC Modular Media, Nozzles Plate AUTO

## 3 | SELF-CLEANING FILTERS

- FMA-1000
- Pg.9** FMA-1000E  
FMA-4000  
FMA-4000E
- FMA-2000
- Pg.10** FMA-5000V  
FMA-6000
- FMA-7000
- Pg.11** FMA-9000  
FMA-10000
- Pg.12** Suction Strainer AS

## 4 | RED LINE FILTERS

- Spin Filter K
- Brush Spin Filter KRB
- Screen Filter C
- Pg.14** Screen Filter C Double  
Screen Filter O  
Disc Filter D  
Sprinkler Filter S  
Strainer Filter SY
- Hydrocyclone Y Mini
- Hydrocyclone Y Standard
- Hydrocyclone HCY
- Pg.15** Compact System KE  
Fertilizer Tank L  
Metal Pipes for Control Head  
Control Head  
Self-Cleaning Suction Filter AF
- Sand Media Filter X Single
- Dual Chamber Sand Media Filter XDC
- Pg.16** Sand Filter Battery Manual  
Sand Filter Battery Auto  
Sand

## 5 | PLASTIC FILTERS

- AD-SL Simple Auto Disc Filter Battery
- AD-DL Double Line Auto Disc Filter Battery
- Pg.18** AD Automatic Disc Filter  
AD-SL Control Panel Module  
AD-DL Control Panel Module
- MD Manual Disc Filter
- MTD Manual Disc Filter
- PYD Y pattern Disc Filter
- Pg.19** MS Screen Filter  
MTS Screen Filter  
PYS Y pattern Screen Filter  
SAS Semi-Auto Screen Filter
- Screen Filter 1" BSP 10bar
- Screen Filter 1<sup>1/2</sup>" BSP 10bar
- Screen Filter 1<sup>1/4</sup>" BSP 10bar
- Pg.20** Screen Filter 2" BSP 10bar  
Screen Filter 2"L BSP 10bar  
Screen Filter 3" BSP 10bar  
In Line Screen Filter 8bar  
Hydrocyclonic Screen Filter 8bar
- In-Line Special 6Atm
- In-Line Special 6Atm
- In Line Filter Large 6Atm
- In Line Filter Small
- Elbow Screen Filter Large
- Elbow Screen Filter Small
- Pg.21** Tee Screen Filter Large  
Tee Screen Filter Small
- Cartridges for In-Line Screen Filters
- Cartridges for In-Line Disk Filters
- Cartridges for Special Filters
- Cartridges for In-Line Filter S & L
- YDV online Filters PN10
- YEV online Filters PN10
- YDV Filters PN10 swivel
- YEV Filters PN10 swivel
- YCV online Filters PN10
- YFV online Filter PN8
- Pg.22** YGG online Filters PN8  
YGF online Filters PN8  
YHG online Filters PN8  
YHF online Filters PN8
- Cartridges for Models YCV-YDV-YEV-YFV
- Cartridges for Models YGG-YHG-YGF-YHF



## MANUAL FILTERS



---

## MANUAL FILTERS

---

Manual filters are commonly used as safety guards. The wide range and various types affirm that it is an effective, cost-effective solution for specific applications and uses in agriculture and industry. High efficiency is guaranteed thanks to the large filtration surface and the reduced load loss.



# MANUAL FILTERS

## FY SCREEN FILTER

Model	Inlet	Screen	Flow
Type A	inch	µm	m³/h
FY2R-125	2"	125	20
FY3-125	3"	125	40
FY4165-125	4"	125	80
FY2-2000	2"	2000	24
FY3-2000	3"	2000	48
FY4165-2000	4"	2000	96



Type B	Inlet	Grade	max
FY4220-125	4"	125	100
FY5-125	5"	125	100
FY6-125	6"	125	150
FY8-125	8"	125	300
FY10-125	10"	125	400
FY12-125	12"	125	475



Type B	Inlet	Grade	max
FY4220-2000	4"	2000	120
FY5-2000	5"	2000	120
FY6-2000	6"	2000	180
FY8-2000	8"	2000	360
FY10-2000	10"	2000	480
FY12-2000	12"	2000	570



PVC cartridge with AISI316 screen filtration grade 125 microns | 2000- AISI304 stainless steel cartridge with 2 mm coarse screen

## FYLCM BRUSH FILTER

Model	Inlet	Screen	Flow
Type A	inch	µm	m³/h
FY2LCMR-125	2"	125	20
FY3LCM-125	3"	125	40
FY4LCM-125	4"	125	100
FY5LCM-125	5"	125	100
FY6LCM-125	6"	125	150



PVC cartridge with AISI316 screen, filtration grade 125 microns | Also available with AISI304 stainless steel cartridge with 2 mm coarse screen

## FYCIC CYCLONE FILTER

Model	Inlet	Screen	Flow
Type A	inch	µm	m³/h
FY2CIC-125	2"	125	20
FY3CIC-125	3"	125	40
FY4CIC-125	4"	125	100
FY5CIC-125	5"	125	100



Type B	inch	µm	m³/h
FY6CIC-125	6"	125	150
FY6CIC-2000	6"	2000	180



125µm- PVC cartridge with AISI316 screen, filtration grade 125 microns | 2000mm- AISI304 stainless steel cartridge with 2 mm coarse screen





# MANUAL FILTERS

## FL SCREEN

Model	Inlet	Screen	Flow
<b>Type A</b>			
FL2-125	2"	125	20
FL3-125	3"	125	40
FL4-125	4"	125	80
<b>Type B</b>			
FL4-220-125	4"	125	100
FL5-125	5"	125	100
FL6-125	6"	125	180
FL6L-125	6"	125	180
FL8-125	8"	125	360
FL10-125	10"	125	480
FL12-125	12"	125	570



125- PVC cartridge with AISI316 screen, filtration grade 125 microns | Also available with AISI304 stainless steel cartridge with 2 mm coarse screen

## FCY STRAINER PN10 Y type

Model	Inlet	Screen	Surface
FCY2-R-PN10	2"	125	585
FCY2-PN10	2"	125	585
FCY3-PN10	3"	125	790
FCY4-PN10	4"	125	1015
FCY5-PN10	5"	125	1490
FCY6-PN10	6"	125	1540
FCY8-PN10	8"	125	2690
FCY10-PN10	10"	125	4750
FCY12-PN10	12"	125	6190
FCY14-PN10	14"	125	7245
FCY16-PN10	16"	125	10112
FCY20-PN10	20"	125	14740
FCY24-PN10	24"	125	
FCY28-PN10	28"	125	
FCY32-PN10	32"	125	



AISI304 stainless steel cartridge with 4 mm coarse screen | Also available in PN16



## CL STRAINER PN10 L type

Model	Inlet	Screen	Surface
<b>Type</b>			
FCL2-R-PN10	2"	125	585
FCL2-PN10	2"	125	585
FCL3-PN10	3"	125	790
FCL4-PN10	4"	125	1015
FCL5-PN10	5"	125	1490
FCL6-PN10	6"	125	1540
FCL8-PN10	8"	125	2690
FCL10-PN10	10"	125	
FCL12-PN10	12"	125	



AISI304 stainless steel cartridge with 4 mm coarse screen | Also available in PN16



## HD HYDROCYCLONE



Model	Inlet	Connection	Flow
	inch	type	m <sup>3</sup> /h
HD-2	2"	T	25
HD-3	3"	F	50
HD-4	4"	F	85
HD-6	6"	F	
HD-8	8"	F	

T= Thread BSP | F = Flange DIN2576/PN10 | Max. working pressure: 8bar



## FL DISC FILTER L type



Model	Inlet	Connection	Flow
Type	inch	type	m <sup>3</sup> /h
FL2-AN	2"	T	25
FL3-AN	3"	F	50
FL4-AN	4"	F	80

## FY DISC FILTER Y type

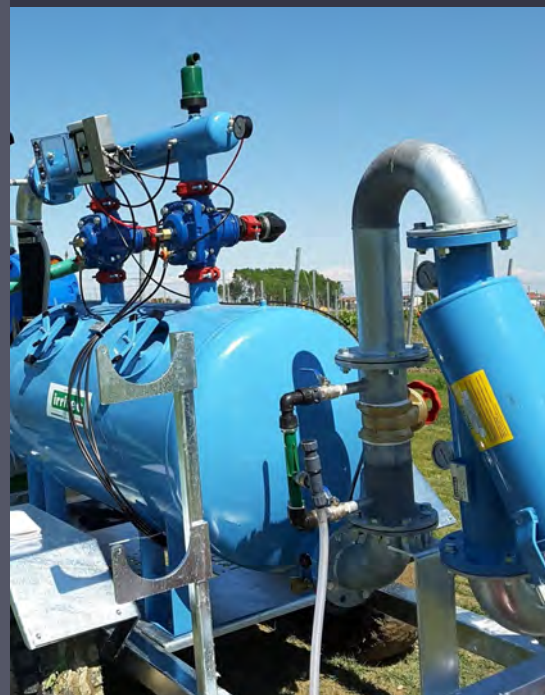


Model	Inlet	Connection	Flow
Type	inch	type	m <sup>3</sup> /h
FY2-AN	2"	T	25
FY3-AN	3"	F	50
FY4-AN	4"	F	80





## MEDIA FILTERS



---

## MEDIA FILTERS

---

One of the most effective way to clean large volumes of irrigation water containing high amount of organic matter (algae, mud and slimy particles of organic mix). They are the best solution for any large scale drip or micro irrigation system which uses water from canals, rivers, lakes or reservoirs.



# MEDIA FILTERS

## FAB Arm Collectors



Model	Inlet	Surface	Nominal Flow	River Flow	Sand
code	inch	m <sup>2</sup>	m <sup>3</sup> /h	m <sup>3</sup> /h	kg
FAB-500	1 1/2"	0,20	15	10	100
FAB-600	2"	0,28	23	11	
FAB-700	3"	0,38	25	15	225
FAB-900	3"	0,64	25	19	425
FAB-950	3"	0,71	45	28	500
FAB-1200	4"	1,13	75	45	800



Max.working pressure: 8bar | For media 1mm - 2mm (Optional for 0,8mm-1,2mm upon agreement)

## FAC Nozzles



Model	Inlet	Surface	Nominal Flow	River Flow	Sand
code	inch	m <sup>2</sup>	m <sup>3</sup> /h	m <sup>3</sup> /h	kg
FAC-500	1 1/2"	0,20	15	10	75
FAC-600	2"	0,28	23	11	
FAC-700	3"	0,38	25	15	150
FAC-900	3"	0,64	25	19	325
FAC-950	3"	0,71	45	28	375
FAC-1200	4"	1,13	75	45	550



Max.working pressure: 8bar | For media 1mm - 2mm (Optional for 0,8mm-1,2mm upon agreement)

## DUAL CHAMBER MANUAL



Model	Inlet	Diameter	Nominal Flow	River Flow	Sand
code	inch	Ø	m <sup>3</sup> /h	m <sup>3</sup> /h	kg
ERV15	1 1/2" FT	Ø400	11		60
ERV20	2" FT	Ø500	30		120
ERV30	3" F	Ø600	60		200
ERV40	4" F	Ø750	80		300
ERV50	5" F	Ø850	110		600

with Filter Nozzles - sand NOT included | Max.working pressure: 8bar | With nozzles for media 1mm - 2mm (Optional for 0,8mm-1,2mm upon agreement)

## DUAL CHAMBER AUTOMATIC



Model	Inlet	Diameter	Nominal Flow	River Flow	Sand
code	inch	Ø	m <sup>3</sup> /h	m <sup>3</sup> /h	kg
ER3V15	1 1/2" FT	Ø400	11		60
ER3V20	2" FT	Ø500	30		120
ER3V30	3" F	Ø600	60		200
ER3V40	4" F	Ø750	80		300
ER3V50	5" F	Ø850	110		600

with Filter Nozzles - sand NOT included | Max.working pressure: 8bar | With nozzles for media 1mm - 2mm (Optional for 0,8mm-1,2mm upon agreement)



## MFAB MODULAR MEDIA FILTERS Arm Collectors



Model	Surface	Nominal Flow	River Flow	Backwash Flow
<b>AUTO</b>				
	m <sup>2</sup>	m <sup>3</sup> /h	m <sup>3</sup> /h	m <sup>3</sup> /h
1 FAB500 + 1 FY2-M	0,20	15	10	8
1 FAB700 + 1 FY2-M	0,38	25	19	15
1 FAB950 + 1 FY3-M	0,71	41	35	28
2 FAB700 + 1 FY3-M	0,77	50	38	15
2 FAB950 + 1 FY4-M	1,42	92	71	28
3 FAB950 + 1 FY6-M	2,13	138	106	28
4 FAB950 + 1 FY6-M	2,84	184	142	28
2 FAB1200 + 1 FY6-M	2,26	147	113	45
3 FAB1200 + 1 FY6-M	3,39	221	170	45
4 FAB1200 + 1 FY6-M	4,52	294	226	45
<b>MANUAL</b>				
	m <sup>2</sup>	m <sup>3</sup> /h	m <sup>3</sup> /h	m <sup>3</sup> /h
1 FAB700 + 1 FY2-M	0,38	25	19	15
1 FAB950 + 1 FY3-M	0,71	41	35	28

## MFAC MODULAR MEDIA FILTERS Nozzles Plate



Model	Surface	Nominal Flow	River Flow	Backwash Flow
<b>AUTO</b>				
	m <sup>2</sup>	m <sup>3</sup> /h	m <sup>3</sup> /h	m <sup>3</sup> /h
1 FAC500 + 1 FY2-M	0,20	15	10	8
1 FAC700 + 1 FY2-M	0,38	25	19	15
1 FAC950 + 1 FY3-M	0,71	41	35	28
2 FAC700 + 1 FY3-M	0,77	50	38	15
2 FAC950 + 1 FY4-M	1,42	92	71	28
3 FAC950 + 1 FY6-M	2,13	138	106	28
4 FAC950 + 1 FY6-M	2,84	184	142	28
2 FAC1200 + 1 FY6-M	2,26	147	113	45
3 FAC1200 + 1 FY6-M	3,39	221	170	45
4 FAC1200 + 1 FY6-M	4,52	294	226	45
<b>AUTO</b>				
	m <sup>2</sup>	m <sup>3</sup> /h	m <sup>3</sup> /h	m <sup>3</sup> /h
1 FAC700 + 1 FY2-M	0,38	25	19	15
1 FAC950 + 1 FY3-M	0,71	41	35	28





## SELF-CLEANING FILTERS



---

### SELF-CLEANING

---

Self-Cleaning filters offer continuous automatic operation, low water consumption for cleaning, no interruption of downstream flow when cleaning, automatic flushing based on pressure-differential, hydraulic and electric control options. Removal of both organic (algae, debris) as well as sand and inorganic particles.



# SELF-CLEANING FILTERS

## FMA-1000 HYDRAULIC



System Unit	Max Flow	High Quality	Medium Quality	Surface	Backwash Flow	Backwash Consumption
code	m <sup>3</sup> /h	m <sup>3</sup> /h	m <sup>3</sup> /h	cm <sup>2</sup>	m <sup>3</sup> /h	lit
FMA1002	50	25	18	910	3,0	5,0
FMA1003	90	50	30	1600	6,5	12,5
FMA1004	150	70	50	2475	14,0	15,0
FMA1006	280	90	70	4950	23,0	30,0

Carbon Steel Body | AISI304 Suction scanner | AISI316 Screen | PVC with AISI316 ring and nylon brushes  
PP Backwash valves | Body also available in Stainless steel AISI304 & AISI316

## FMA-1000E ELECTRIC



System Unit	Max Flow	High Quality	Medium Quality	Surface	Backwash Flow	Backwash Consumption
code	m <sup>3</sup> /h	m <sup>3</sup> /h	m <sup>3</sup> /h	cm <sup>2</sup>	m <sup>3</sup> /h	lit
FMA1002E	80	50	30	1600	3,0	5,0
FMA1003E	90	55	35	1600	6,5	12,5
FMA1004E	150	75	55	2400	14,0	15,5
FMA1006E	280	100	75	4800	23,0	53,0

Carbon Steel Body | AISI304 Suction scanner | AISI316 Screen | PVC with AISI316 ring and nylon brushes | PP Backwash valves | Body also available in Stainless steel AISI304 & AISI316

## FMA-4000 HYDRAULIC



System Unit	Max Flow	High Quality	Medium Quality	Surface	Backwash Flow	Backwash Consumption
code	m <sup>3</sup> /h	m <sup>3</sup> /h	m <sup>3</sup> /h	cm <sup>2</sup>	m <sup>3</sup> /h	lit
FMA4003	110	70	50	2475	3	25
FMA4004	200	90	74	4950	6,5	49
FMA4006	270	160	120	7425	14	110
FMA4008	410	250	190	9900	23	178
FMA4010	580	320	270	12375	28	238

Carbon Steel Body | AISI304 Suction scanner | AISI316 Screen | PVC with AISI316 ring and nylon brushes | PP Backwash valves | Body also available in Stainless steel AISI304 & AISI316

## FMA-4000E ELECTRIC



System Unit	Max Flow	High Quality	Medium Quality	Surface	Backwash Flow	Backwash Consumption
code	m <sup>3</sup> /h	m <sup>3</sup> /h	m <sup>3</sup> /h	cm <sup>2</sup>	m <sup>3</sup> /h	lit
FMA4003E	110	70	50	2475	3	25
FMA4004E	200	90	70	4950	6,5	49
FMA4006E	270	160	120	7425	14	110
FMA4008E	410	250	190	9900	23	178
FMA4010E	580	320	270	12375	28	238

Carbon Steel Body | AISI304 Suction scanner | AISI316 Screen | PVC with AISI316 ring and nylon brushes | PP Backwash valves | Body also available in Stainless steel AISI304 & AISI316



# SELF-CLEANING FILTERS

## FMA-2000 ELECTRIC



System Unit	Max Flow	High Quality	Medium Quality	Surface	Backwash Flow	Backwash Consumption
code	m <sup>3</sup> /h	m <sup>3</sup> /h	m <sup>3</sup> /h	cm <sup>2</sup>	m <sup>3</sup> /h	lit
FMA2003E	120	60	48	8685	5	35
FMA2004E	235	110	90	10700	10	70
FMA2006E	500	215	173	12910	15	105
FMA2008E	700	320	256	14485	20	140
FMA2010E	1150	580	464	15610	25	175
FMA2012E	1400	700	560	20500	20	140
FMA2014E	1800	900	720	22290	25	175

Carbon Steel Body | AISI304 Suction scanner | AISI316 Screen | PVC with AISI316 ring and nylon brushes | PP Backwash valves | Body also available in Stainless steel AISI304 & AISI316

## FMA-5000V

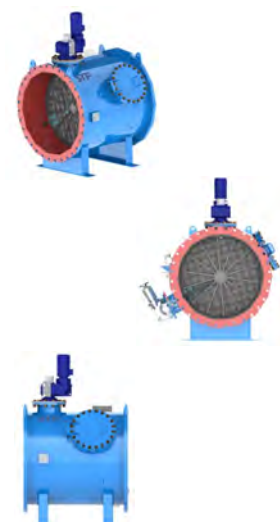


System Unit	Max Flow	High Quality	Medium Quality	Surface	Backwash Flow	Backwash Consumption
code	m <sup>3</sup> /h	m <sup>3</sup> /h	m <sup>3</sup> /h	cm <sup>2</sup>	m <sup>3</sup> /h	lit
FMA5003V	1000	650	500	28156	428	159.885
FMA5006V	2000	1300	1000	56313	856	214.498
FMA5009V	3000	1950	1500	84469	1284	249.819
FMA5012V	4000	2600	2000	112626	1712	312.274
FMA5015V	5000	3250	2500	140782	2140	390.342

Carbon steel Housing | AISI316 cartridge | Operating Voltage 380/400V AC 50/60 Hz 3phase | Controller 24V DC | Min/Max pressure:2bar/10bar | Screen degrees: 74, 100, 125, 200 micron

## FMA-6000 ELECTRIC

Available sizes up to dn 3000 (120")



System Unit	Inlet / Outlet		Flow Rate		Area	
	Electric	Inlet	Outlet	m <sup>3</sup> /s	m <sup>3</sup> /s	Installed
code	DN	inches	screen 1,5x1,5	screen 2x2	cm <sup>2</sup>	Kw
FMA6020	500	20"	0,19	0,36	1500	1,48
FMA6024	600	24"	0,30	0,56	2340	1,68
FMA6028	700	28"	0,19	0,36	3140	1,75
FMA6032	800	32"	0,30	0,56	4040	1,83
FMA6036	900	36"	0,19	0,36	4980	2,10
FMA6040	1000	40"	0,30	0,56	6810	2,57
FMA6044	1100	44"	0,19	0,36	7950	2,80
FMA6048	1200	48"	0,30	0,56	9530	3,35
FMA6052	1300	52"	0,19	0,36	11200	3,50
FMA6056	1400	56"	0,30	0,56	13500	3,70
FMA6060	1500	60"	0,19	0,36	15450	4,10
FMA6064	1600	64"	0,19	0,36	1500	1,48
FMA6068	1700	68"	0,30	0,56	2340	1,68
FMA6072	1800	72"	0,19	0,36	3140	1,75
FMA6076	1900	76"	0,30	0,56	4040	1,83

Max working pressure 4bar | Carbon Steel Housing | AISI316 Stainless Steel Cartridge | Operating Voltage 380V



# SELF-CLEANING FILTERS

## FMA-7000 ELECTRIC



System Unit	Flow Rate		Surface	Backwash
	50µm	20µm	Area	Consumption
	m <sup>3</sup> /h	m <sup>3</sup> /h	cm <sup>2</sup>	lit
FMA7000UV	25	15	2900	65
FMA7000UVL	25	25	5380	70

AISI304 Housing | AISI304 Cartridge | Operating Voltage 400V AC 50Hz 3phase+N | Control Voltage 24V DC

## FMA-9000 ELECTRIC



System Unit	Flow Rate	High Quality Flow	Medium Flow	Surface	Backwash Consumption
code	m <sup>3</sup> /h	m <sup>3</sup> /h	m <sup>3</sup> /h	cm <sup>2</sup>	lit
FMA9006	500	215	173	7990	105
FMA9008	700	320	256	10600	140
FMA9010	1150	580	464	13210	175
FMA9012	1400	700	560	16500	140
FMA9014	1800	900	720	21300	175

Carbon Steel Body | AISI304 Suction scanner | AISI316 Screen | PVC with AISI316 ring and nylon brushes | PP Backwash valves

## FMA-10000 ELECTRIC



System Unit	Flow Rate	High Quality Flow	Medium Flow	Surface	Backwash Consumption
code	m <sup>3</sup> /h	m <sup>3</sup> /h	m <sup>3</sup> /h	cm <sup>2</sup>	lit
FMA10210	2300	1160	928	26420	350
FMA10212	3450	1740	1392	39630	350
FMA10214	4600	2320	1856	52840	350
FMA10310	2800	1400	1120	33000	525
FMA10312	4200	2100	1680	49500	525
FMA10314	5600	2800	2240	66000	525
FMA10410	3600	1800	1440	42600	700
FMA10412	5400	2700	2160	63900	700
FMA10414	7200	3000	2880	85200	700

Carbon Steel Body | AISI304 Suction scanner | AISI316 Screen | PVC with AISI316 ring and nylon brushes | PP Backwash valves





# SELF-CLEANING FILTERS

## FS SELF-CLEANING STRAINER HYDRAULIC



System Unit	Inlet/Outlet	Max Flow	Surface	Weight
code	DN	m <sup>3</sup> /h	cm <sup>2</sup>	kg
FS04	100 (4")	100	5090	25
FS06	150 (6")	230	6420	35
FS08	200 (8")	380	8355	45
FS10	250 (10")	550	11085	60
FS12	300 (12")	750	15455	70
FS14	350 (14")	1000	21270	120
FS16	400 (16")	1200	21270	160





## RED LINE FILTERS



---

### RED LINE FILTERS

---

A wide range of cost-effective solutions for specific applications and uses in agriculture and industry.

## SPIN FILTER K



Model code	Inlet inch	Flow max m <sup>3</sup> /h
05-01-200	2"	31
05-01-250	2 <sup>1/2</sup> "	35
05-01-300	3"	40
05-01-400	4"	70
05-01-500	5"	120
05-01-311	6"	120
05-01-600	6"S	150
05-01-601	6"L	180
05-01-801	8"	180

## BRUSH SPIN FILTER KRB



Model code	Inlet inch	Flow max m <sup>3</sup> /h
05-05-201	2"	31
05-05-251	2 <sup>1/2</sup> "	35
05-05-301	3"	40
05-05-401	4"	70
05-05-501	5"	120
05-05-601	6"	120
05-05-602	6"S	150
05-05-603	6"L	180
05-05-803	8"	180

## SPRINKLER FILTER S



Model code	Inlet inch	Flow max m <sup>3</sup> /h
Ø1,5 mm		
05-04-056	2"	25
05-04-057	3"	50
05-04-058	4"	80
05-04-089	5"	150
05-04-059	6"	150

Also available  
Ø1mm, Ø2mm, Ø2,5mm, Ø4mm

## STRAINER FILTER SY



Model code	Inlet inch	Flow max m <sup>3</sup> /h
Ø1.5 mm		
05-12-202	2"	25
05-12-302	3"	45
05-12-402	4"	80
05-12-502	5"	110
05-12-602	6"	160
05-12-802	8"	300
05-12-112	10"	600
05-12-122	12"	850

Also available  
Ø1mm, Ø1,5mm, Ø2mm, Ø2,5mm

## SCREEN FILTER C



Model code	Inlet inch	Flow max m <sup>3</sup> /h
05-02-200	2"	23
05-02-202	2"L	30
05-02-250	2 <sup>1/2</sup> "	35
05-02-300	3"	40
05-02-400	4"	75
05-02-403	4"	90
05-02-600	6"	150

## SCREEN FILTER C DOUBLE



Model code	Inlet inch	Flow max m <sup>3</sup> /h
05-02-203	2"	23
05-02-201	2"L	30
05-02-303	3"	40
05-02-401	4"	75

With double cartridge

## SCREEN FILTER O



Model code	Inlet inch	Flow max m <sup>3</sup> /h
05-00-102	1"L	5
05-00-151	1 <sup>1/2</sup> L	12
05-00-200	2"	30
05-00-250	2 <sup>1/2</sup> "	35
05-00-300	3"	40
05-00-400	4"	80
05-00-500	5"	120
05-00-600	6"	120
05-00-601	6"S	150
05-00-602	6"L	180
05-00-802	8"	220

## DISC FILTER D



Model code	Inlet inch	Flow max m <sup>3</sup> /h
05-03-200	2"	25
05-03-300	3"	50
05-03-400	4"	80







# RED LINE FILTERS

## HYDROCYCLONE Y



Model	Inlet	Flow max
MINI	inch	m <sup>3</sup> /h
05-06-025	1/2"	3
05-06-034	3/4"	5
05-06-100	1"	12
05-06-150	1 1/2"	16

## HYDROCYCLONE Y



Model	Inlet	Flow max
STANDARD	inch	m <sup>3</sup> /h
05-06-400	4"	80
05-06-401	4"F	80
05-06-500	5"F	150
05-06-600	6"F	150

## HYDROCYCLONE HCY



Model	Inlet	Flow max
NEW	inch	m <sup>3</sup> /h
05-06-205	2"	25
05-06-255	2 1/2"	35
05-06-305	3"	50

## FERTILIZER TANK L



Model	Inlet	Capacity
Vertical	inch	lt
05-07-030	1/2"	30
05-07-060	3/4"	60
05-07-090	3/4"	90
05-07-120	3/4"	120
05-07-160	3/4"	160
05-07-220	3/4"	220
Horizontal		
05-07-222	3/4"	220
05-07-300	3/4"	300
05-07-600	2"	600

## COMPACT SYSTEM KE



Model	Inlet	Flow max
O filter	inch	m <sup>3</sup> /h
05-10-100	1"	12
05-10-150	1 1/2"	16
05-10-200	2"	25
05-10-250	2 1/2"	35
05-10-300	3"	50
05-10-400	4"	80
K filter		
05-10-201	2"	25
05-10-253	2 1/2"	35
05-10-303	3"	50
05-10-404	4"	80
K filter brush		
05-10-203	2"	25
05-10-255	2 1/2"	35
05-10-307	3"	50
05-10-407	4"	80
05-10-501	5"	120
05-10-602	6"	150
05-10-802	8"-2x6"	300
05-10-607	6"-2x4"	160
05-10-807	8"-3x4"	180

## METAL PIPES



Model code	Inlet inch	Outlet type
MTP150	1 1/2"	MT
MTP200	2"	MT
MTP250	2 1/2"	MT
MTP300	3"	MT
MTP400	4"	MT
MTP400F	4"	FL

MT: Male Threaded, FL: Flanged

## CONTROL HEAD



Model code	Inlet inch	Connection type
FCH150	1 1/2"	MT
FCH200	2"	MT
FCH250	2 1/2"	MT
FCH300	3"	MT
FCH400	4"	MT
FCH401	4"	FL

MT: Male Threaded FL: Flanged

## SELF-CLEANING SUCTION FILTER AF



Model code	Inlet inch	Flow max	Filtration	Washing Flow	Washing Pressure
		m <sup>3</sup> /h	m <sup>3</sup> /h	m <sup>3</sup> /h	m <sup>3</sup> /h
			1500µm		
			2500µm		
05-09-400	4"	80	100	5	2-3
05-09-600	6"	180	230	5	2-3
05-09-800	8"	300	380	5	2-3
05-09-110	10"	420	550	6.5	2-3
05-09-120	12"	600	750	6.5	2-3
05-09-140	14"	800	1000	6.5	2-3
05-09-160	16"	1000	1200	6.5	2-3
05-09-200	20"				

Also available in 2500 micron





# RED LINE FILTERS

## SAND FILTER X



SINGLE UNIT code	MANUAL KIT code	In/Out inch	Diameter inch	Nominal Flow m <sup>3</sup> /h	River Flow m <sup>3</sup> /h	Sand kgs
05-08-101	BP-12-001	1"	12"	4	2,5	50
05-08-111	BP-16-001	1"	16"	8	4,5	75
05-08-152	BP-15-001	1 1/2"	18"	9	5,5	100
05-08-202	BP-20-001	2"	20"	12	7,0	125
05-08-302	BP-24-001	3"	24"	17	10	225
05-08-485	BP-30-001	3"	30"	27	16	375
05-08-338	BP-36-001	3"	36"	40	23	450
05-08-450	BP-48-001	4"	48"	70	40	825
05-08-339	—	3"F	36"	50	26	450
05-08-340	—	4"F	48"	75	46	825

SAND code	Size mm
06-03-001	1.2-2.4
06-03-003	0.5-0.8
06-03-004	0.8-1.2
06-03-006	3.0-6.0

packed in 25kg bags



FOR COMPLETE SET: SINGLE UNIT + MANUAL KIT + SAND

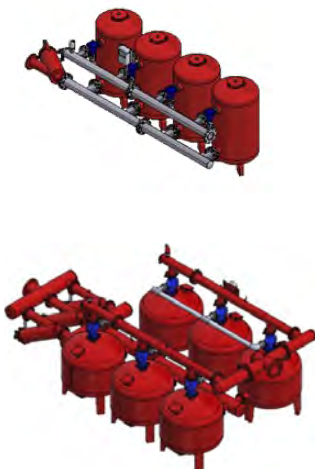
## DUAL CHAMBER SAND FILTER XDC



SINGLE UNIT code	MANUAL KIT code	AUTO KIT code	In/Out inch	Dia. mm	Area m <sup>2</sup>	Nominal Flow m <sup>3</sup> /h	River m <sup>3</sup> /h	Sand kgs
05-08-155	BP-25-001	BP-25-002	1 1/2"	Ø450	0,38	24	14	175
05-08-212	BP-22-001	BP-22-002	2"	Ø600	0,75	45	26	300
05-08-488	BP-33-011	BP-33-012	3"	Ø750	1,00	66	38	575
05-08-472	BP-44-101	BP-44-103	4"	Ø900	1,60	96	56	850
05-08-459	BP-47-001	BP-47-003	5"	Ø900	1,60	120	80	850

FOR COMPLETE MANUAL SET: SINGLE UNIT + MANUAL KIT + SAND  
FOR COMPLETE AUTO SET: SINGLE UNIT + AUTO KIT + SAND

## SAND FILTER BATTERY BX



MANUAL code	AUTO code	System no x dia	In   Out inch	Surface m <sup>2</sup>	Nominal Flow m <sup>3</sup> /h	River m <sup>3</sup> /h	Canal m <sup>3</sup> /h	Waste Water m <sup>3</sup> /h
BX-20-200	BX-20-201	2X20"	3"	0.40	30	16	12	8
BX-20-300	BX-20-301	3X20"	4"	0.60	40	24	18	12
BX-24-200	BX-24-201	2X24"	3"	0.56	45	22	17	11
BX-24-300	BX-24-301	3X24"	4"	0.84	65	34	25	17
BX-36-200	BX-36-201	2X36"	4"	1.30	80	52	39	26
BX-36-300	BX-36-301	3X36"	6"	1.95	150	78	59	39
BX-36-400	BX-36-401	4X36"	6"	2.60	200	104	78	52
BX-36-500	BX-36-501	5X36"	6"	3.25	250	130	98	65
—	BX-36-601	6X36"	8"	3.90	300	156	117	78
BX-48-200	BX-48-201	2X48"	6"	2.30	140	92	69	46
BX-48-300	BX-48-301	3X48"	6"	3.45	210	138	104	69
BX-48-400	BX-48-401	4X48"	8"	4.60	270	184	138	92
BX-48-500	BX-48-501	5X48"	8"	5.75	330	230	173	115
—	BX-48-601	6X48"	10"	6.90	420	276	207	138
—	BX-48-801	8X48"	10"	9.20	560	368	276	184
—	BX-48-101	10X48"	12"	11.50	700	460	345	230
—	BX-48-121	12X48"	12"	13.80	840	552	414	276
—	BX-48-141	14X48"	14"	16.10	980	644	483	322
—	BX-48-161	16X48"	16"	18.40	1120	736	552	368
—	BX-48-181	18X48"	16"	20.70	1260	828	621	414
—	BX-48-241	24X48"		27.60	1680	1104	828	552

Complete Battery WITH BACK-UP FILTERS | Sand NOT included



## PLASTIC FILTERS



## PLASTIC FILTERS

High-quality plastic filters for a wide range of filtration applications. Suitable for virtually any domestic, agricultural or industrial application. Made of high quality non-corrosive materials- polyester, polypropylene, stainless steel and nitrile rubber seals.



# PLASTIC FILTERS

## AD-SL SIMPLE AUTO DISC FILTER BATTERY



Model	No of Filters	Manifold inlet/Outlet	Surface	High Quality	Medium Quality	Low Quality
code	inch x qty	mm	cm <sup>2</sup>	m <sup>3</sup> /h	m <sup>3</sup> /h	m <sup>3</sup> /h
				<50ppm	51-75ppm	76-100ppm
AD-SL-2x2-AA-130	2"x2	DN80	3240	48	44	40
AD-SL-03x2-AB-130	2"x3	DN100	4860	72	66	60
AD-SL-04x2-AC-130	2"x4	DN150	6480	96	88	80
AD-SL-05x2-AD-130	2"x5	DN150	8100	120	110	100
AD-SL-06x2-AE-130	2"x6	DN150	9720	144	132	120
AD-SL-07x2-AF-130	2"x7	DN150	11340	168	154	140
AD-SL-08x2-AG-130	2"x8	DN200	12960	192	176	160

Control Panel is not included | Filtration degrees: 400,200,130,100,50,20  
Backwashing flow rate: 9m<sup>3</sup>/h | Backwash collector DN80 | Flow rates for 130 µm

## AD-DL DOUBLE LINE AUTO DISC FILTER BATTERY



Model	No of Filters	Manifold inlet/Outlet	Surface	High Quality	Medium Quality	Low Quality
code	inch x qty	mm	cm <sup>2</sup>	m <sup>3</sup> /h	m <sup>3</sup> /h	m <sup>3</sup> /h
				<50ppm	51-75ppm	76-100ppm
AD-DL-03x4-CA-130	4"x3	DN150	9420	144	132	120
AD-DL-04x4-CB-130	4"x4	DN200	12960	192	176	160
AD-DL-05x4-CC-130	4"x5	DN200	16200	240	220	200
AD-DL-06x4-CD-130	4"x6	DN250	19440	288	264	240
AD-DL-07x4-CE-130	4"x7	DN250	22680	336	308	280
AD-DL-08x4-CF-130	4"x8	DN250	25920	384	352	320
AD-DL-09x4-CG-130	4"x9	DN300	29160	432	396	360
AD-DL-10x4-CH-130	4"x10	DN300	32400	480	440	400
AD-DL-11x4-CI-130	4"x11	DN300	35640	528	484	440
AD-DL-12x4-CJ-130	4"x12	DN300	38880	576	528	480

Control Panel is not included | Filtration degrees: 400,200,130,100,50,20  
Backwashing flow rate: 18m<sup>3</sup>/h | Backwash collector DN100 | Flow rates for 130 µm

## AD AUTOMATIC DISC FILTER



Model	Size	Surface	High Quality	Medium Quality	Low Quality
code	inch	cm <sup>2</sup>	m <sup>3</sup> /h	m <sup>3</sup> /h	m <sup>3</sup> /h
		130 µm			
AD-2L-BSP-00-130	2"	1620	24	22	20
AD-2L-GRV-01-130	2"	1620	24	22	20
AD-2L-GRV-02-130	2"	1620	24	22	20
AD-3L-BSP-00-130	3"	1620	24	22	20
AD-3L-GRV-01-130	3"	1620	24	22	20
AD-3L-GRV-02-130	3"	1620	24	22	20
AD-4L-GRV-02-130	4"	3240	48	44	40

Part of the AUTO Disc Filter Batteries  
Filtration degrees: 400,200,130,100,50,20 | Flow rates for 130 µm



### AD-SL CONTROL PANEL MODULE

code	No stations
<b>12V DC</b>	
CPF110-012-S-02	2
CPF110-012-S-03	3
CPF110-012-S-04	4
CPF110-012-S-05	5
CPF110-012-S-06	6
CPF110-012-S-07	7
CPF110-012-S-08	8
<b>230V AC</b>	
CPF110-230-S-02	2
CPF110-230-S-03	3
CPF110-230-S-04	4
CPF110-230-S-05	5
CPF110-230-S-06	6
CPF110-230-S-07	7
CPF110-230-S-08	8

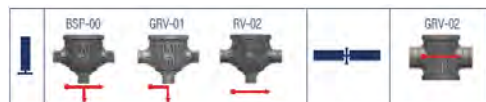
Control panel, solenoids and support are included



### AD-DL CONTROL PANEL MODULE

code	No stations
<b>12V DC</b>	
CPF110-012-D-02	2
CPF110-012-D-03	3
CPF110-012-D-04	4
CPF110-012-D-05	5
CPF110-012-D-06	6
CPF110-012-D-07	7
CPF110-012-D-08	8
<b>230V AC</b>	
CPF110-230-D-02	2
CPF110-230-D-03	3
CPF110-230-D-04	4
CPF110-230-D-05	5
CPF110-230-D-06	6
CPF110-230-D-07	7
CPF110-230-D-08	8

Control panel, solenoids and support are included



## MD MANUAL DISC FILTER

Model	Size	Flow
code	inch	m <sup>3</sup> /h
MD-02-BSP-00-130	2"	
MD-2L-BSP-00-130	2"L	
MD-03-BSP-00-130	3"	
MD-3L-BSP-00-130	3"L	
MD-04-GRV-02-130	4"	
MD-04-FLG-02-130	4"F	
MD-4L-GRV-02-130	4"L	
MD-4L-FLG-02-130	4"L,F	
MD-6L-FLG-02-130	6" L,F	



part of the simple and the double line filtration systems



## MTD MANUAL DISC FILTER

Model	Size	Flow
code	inch	m <sup>3</sup> /h
MTD-02-BSP-0-130	2"	
MTD-2L-BSP-0-130	2"L	
MTD-03-BSP-0-130	3"	
MTD-3L-BSP-0-130	3"L	



## MS SCREEN FILTER

Model	Size	Flow
code	inch	m <sup>3</sup> /h
MS-02-BSP-00-130	2"	
MS-2L-BSP-00-130	2"L	
MS-03-BSP-00-130	3"	
MS-3L-BSP-00-130	3"L	
MS-04-GRV-02-130	4"	
MS-04-FLG-02-130	4"F	
MS-4L-GRV-02-130	4"L	
MS-4L-FLG-02-130	4"L,F	



## SAS SEMI-AUTO SCREEN FILTER

Model	Size	Flow
code	inch	m <sup>3</sup> /h
<b>130 µm / Without visual DP</b>		
SAS-02-BSP-0-130	2"	
SAS-2L-BSP-0-130	2"L	
SAS-03-BSP-0-130	3"	
SAS-3L-BSP-0-130	3"L	
<b>130 µm / With visual DP</b>		
SAS-02-BSP-1-130	2"	
SAS-2L-BSP-1-130	2"L	
SAS-03-BSP-1-130	3"	
SAS-3L-BSP-1-130	3"L	



## PYD Y pattern DISC FILTER

Model	Size	Qty	Flow
code	inch	pc/box	m <sup>3</sup> /h
<b>130µm</b>			
PYD-3/4"-B-130	3/4"	60	
PYD-1"-B-130	1"	60	
PYD-1"-B-130	1"L	25	
PYD-1 1/2"L-B-130	1 1/2"	13	
PYD-2"-B-130	2"	13	



## MTS SCREEN FILTER

Model	Size	Flow
code	inch	m <sup>3</sup> /h
MTS-02-BSP-0-130	2"	
MTS-2L-BSP-0-130	2"L	
MTS-03-BSP-0-130	3"	
MTS-3L-BSP-0-130	3"L	



## PYS Y pattern SCREEN FILTER

Model	Size	Qty	Flow
code	inch	pc/box	m <sup>3</sup> /h
<b>130µm</b>			
PYS-3/4"-B-130	3/4"	60	
PYS-1"-B-130	1"	60	
PYS-1"-B-130	1"L	25	
PYS-1 1/2"L-B-130	1 1/2"	13	
PYS-2"-B-130	2"	13	





# PLASTIC FILTERS

## SCREEN 1" BSP 10bar



Model	Screen	Filtration Area	Effective Area
code	mesh	cm <sup>2</sup>	cm <sup>2</sup>
325044	100 inox	113	52
325144	100 inox	113	52
325046	150 poly	113	40
325146	150 poly	113	40



Capacity 6m<sup>3</sup>/h | Cartridge Φ50x150mm | PP body | EPDM gaskets | PP cartridge frame

## SCREEN 1 1/2" BSP 10bar



Model	Screen	Filtration Area	Effective Area
code	mesh	cm <sup>2</sup>	cm <sup>2</sup>
329064	100 inox	291	135
329264	100 inox	291	162
329266	150 inox	291	132
3292665	200 inox	291	123
329066	150 poly	291	102



Capacity 10m<sup>3</sup>/h | Cartridge Φ70x220mm | PP body | EPDM gaskets | PP cartridge frame | Draining tread 3/4" BSP | Max working pressure 10bar

## SCREEN 1 1/4" BSP 10bar



Model	Screen	Filtration Area	Effective Area
code	mesh	cm <sup>2</sup>	cm <sup>2</sup>
327053	50 inox	196	100
3270535	80 inox	196	109
327054	100 inox	196	91
327055	120 poly	196	89
327056	150 poly	196	69



Capacity 10m<sup>3</sup>/h | Cartridge Φ70x220mm | PP body | EPDM gaskets | PP cartridge frame | Draining tread 3/4" BSP | Max working pressure 10bar

## SCREEN 2" BSP 10bar



Model	Screen	Filtration Area	Effective Area
code	mesh	cm <sup>2</sup>	cm <sup>2</sup>
329074	100 inox	291	135
329274	100 inox	291	162
329275S	120 inox	291	132
329276	150 inox	291	123
3292765	200 inox	291	102



Capacity 10m<sup>3</sup>/h | Cartridge Φ70x220mm | PP body | EPDM gaskets | PP cartridge frame | Draining tread 3/4" BSP | Max working pressure 10bar

## SCREEN 2" BSP 10bar



Model	Screen	Screen	Filtration Area	Effective Area
code	mesh	type	cm <sup>2</sup>	cm <sup>2</sup>
3332074	100	inox	531	246
3332274	100	inox	531	246
3332275	120	inox	531	241
3332276	150	inox	531	225
33322765	200	inox	531	192



Capacity 23m<sup>3</sup>/h | Cartridge Φ107x286mm | PP body | EPDM gaskets | PP cartridge frame | Draining tread 3/4" BSP | Max working pressure 8 bar

## SCREEN 3" BSP 10bar



Model	Screen	Screen	Filtration Area	Effective Area
code	mesh	type	cm <sup>2</sup>	cm <sup>2</sup>
3352093	50	inox	913	464
33520935	80	inox	913	509
3352094	100	inox	913	424
3352195	120	poly	1200	516
3352196	150	poly	1200	420



Capacity 46m<sup>3</sup>/h | Cartridge Φ145x320mm | PP body | EPDM gaskets | Drain 1" BSP (open) | 1/4" F BSP for pressure gauge | SS clamp | Max.8 bar

## IN LINE 8Atm



Model	Size	Filter	Flow	Screen
code	inch	type	m <sup>3</sup> /h	mesh
33870125	1 1/2"	screen	14	120
33870126	2"	screen	25	120
33940125	1 1/2"	disk	14	120
33940126	2"	disk	20	120



Screen filters available in 60,80,150mesh | Disk also in 155mesh

## HYDROCYCLONIC 8Atm



Model	Size	Filter	Flow	Screen
code	inch	type	m <sup>3</sup> /h	mesh
33880125	1 1/2"	screen	8	120
33880155	1 1/2"	screen	8	120
33880086	2"	screen	16	80
33880126	2"	screen	16	120
33880156	2"	screen	16	150



Screen filters available in 60,80 mesh



## IN-LINE SPECIAL 6Atm

Model	Size	Filter	Flow	Screen
code	inch	type	m <sup>3</sup> /h	mesh
33850123	1"	screen	8	120
33850153	1"	screen	8	150
33850124	1 1/4"	screen	8	120
33850154	1 1/4"	screen	8	150
33850184	1 1/4"	screen	8	180



Screen filters also available in 80, 180 mesh

## IN-LINE SPECIAL 6Atm

Model	Size	Filter	Flow	Screen
code	inch	type	m <sup>3</sup> /h	mesh
33840123	1"	screen	8	120
33840153	1"	screen	8	150
33840124	1 1/4"	screen	8	120
33860123	1"	disk	6	120
33860154	1 1/4"	disk	6	120



Screen filters also available in 80, 150, 180 mesh

## IN-LINE LARGE 6Atm

Model	Size	Filter	Flow	Screen
code	inch	type	m <sup>3</sup> /h	mesh
33820122	3/4"	screen	5	120
33820123	1"	screen	6	120
33830122	3/4"	disk	4	120
33830123	1"	disk	5	120
33830153	1"	disk	5	150



Screen filters also available in 40, 60, 80, 150 mesh

## IN-LINE SMALL

Model	Size	Filter	Flow	Screen
code	inch	type	m <sup>3</sup> /h	mesh
33720122	3/4"	screen	5	120
33720043	1"	screen	6	40
33720123	1"	screen	6	120
33730122	1"	disk	4	120
33730123	1"	disk	5	120



Screen filters also available in 60, 80 mesh

## ELBOW SCREEN LARGE

Model	Size	Filter	Flow	Screen
code	inch x mm	type	m <sup>3</sup> /h	mesh
33910825	1"x25	screen	7	80
33911225	1"x25	screen	7	120
33910832	1"x32	screen	7	80
33911232	1"x32	screen	7	120



Screen filters also available in 40, 60 mesh

## ELBOW SCREEN SMALL

Model	Size	Filter	Flow	Screen
code	mm x inch x mm	type	m <sup>3</sup> /h	mesh
33900420	1"x20	screen	7	40
33901220	1"x20	screen	7	120
33900425	1"x25	screen	7	40
33901225	1"x25	screen	7	120
33901232	1"x32	screen	7	120



Screen filters also available in 40, 60, 80 mesh

## TEE SCREEN LARGE

Model	Size	Filter	Flow	Screen
code	mm x inch x mm	type	m <sup>3</sup> /h	mesh
34862123	20x1"x20	screen	7	120
34862153	20x1"x20	screen	7	150
34863123	25x1"x25	screen	7	120
34863153	25x1"x25	screen	7	150
34864123	32x1"x32	screen	7	120



Screen filters also available in 40, 60, 80 mesh

## TEE SCREEN SMALL

Model	Size	Filter	Flow	Screen
code	mm x inch x mm	type	m <sup>3</sup> /h	mesh
34761123	16x1"x16	screen	7	120
34762123	20x1"x20	screen	7	120
34763123	25x1"x25	screen	7	120
34764123	32x1"x32	screen	7	120



Screen filters also available in 40, 60, 80 mesh

## CARTRIDGES FOR IN-LINE SCREEN FILTERS

Model	Size	Filter	Surface	Screen
code	inch	type	cm <sup>2</sup>	mesh
34815120	1 1/2"	screen	185	120
34815150	1 1/2"	screen	185	150
34816120	2"	screen	274	120
34816150	2"	screen	274	150
44818120	3"	screen	913	120



Screen filters 1 1/2" & 2" also available in 60, 80 mesh

## CARTRIDGES FOR IN-LINE DISC FILTERS

Model	Size	Filter	Surface	Screen
code	inch	type	cm <sup>2</sup>	mesh
34841205	1 1/2"	disk	281	120
34841555	1 1/2"	disk	281	155
34841206	2"	disk	404	120
34841556	2"	disk	404	155



## CARTRIGES FOR-SPECIAL FILTERS

Model	Size	Surface	Screen
screen	inch	cm <sup>2</sup>	mesh
34812120	1"-1 1/4"	152	120
34812150	1"-1 1/4"	152	150
34812180	1"-1 1/4"	152	180
<b>disk</b>			
44823242	1"-1 1/4"	200	120



Screen filters also available in 80 mesh

## CARTRIDGES FOR IN-LINE S & L

Model	Size	Filter	Surface	Screen
code	inch	type	cm <sup>2</sup>	mesh
34811120	3/4"-1"	Large	90	120
34810120	3/4"-1"	Small	55	120
<b>disk</b>				
34822242	3/4"-1"	Large	152	120
34821242	3/4"-1"	Small	94	120



Screen filters also available in 40, 60, 80, 150, 180 mesh | Disk filters also available in 155 mesh

### YDV ONLINE PN10

Model	G	Cartridge	Flow
code	Inch	Type	m <sup>3</sup> /h
IFYDVCILM2CON	3/4"	Inox	5
IFYDVCPLM2CON	3/4"	Polyester	5
IFYDVCPLM2CON	3/4"	Disk	5
IFYDVD1LM2CON	1"	Inox	5
IFYDVDPLM2CON	1"	Polyester	5
IFYDDDL2CON	1"	Disk	5



irritec

Cartridge 120mesh | Male Threaded | 20pcs / box

### YDV PN10 SWIVEL

Model	G	Cartridge	Flow
code	Inch	Type	m <sup>3</sup> /h
IFYDVD1LW2CON	1"	Inox	5
IFYDVDPLW2CON	1"	Polyester	5
IFYDDDLW2CON	1"	Disk	5



irritec

Cartridge 120mesh | Male Threaded | 20pcs / box

### YCV ONLINE PN10

Model	G	Cartridge	Flow
code	Inch	Type	m <sup>3</sup> /h
IFYCVCILM2SON	3/4"	Inox	5
IFYCVCPLM2SON	3/4"	Polyester	5
IFYCVDILM2SON	1"	Inox	5
IFYCVDPLM2SON	1"	Polyester	5



irritec

Cartridge 120mesh | Male Threaded | 30pcs / box

### YGG ONLINE PN8

Model	G	Cartridge	Flow
code	Inch	Type	m <sup>3</sup> /h
IFYGGGILM2CON	2"	Inox	25
IFYGGGPLM2CON	2"	Polyester	25
IFYGGGDLM2CON	2"	Disk	25



irritec

Cartridge 120mesh | Male Threaded with nut | 2 pcs/box

### YHG ONLINE PN8

Model	G	Cartridge	Flow
code	Inch	Type	m <sup>3</sup> /h
IFYHGGILM2CON	2" super	Inox	25
IFYHGGPLM2CON	2" super	Polyester	25
IFYHGGDLM2CON	2" super	Disk	25
IFYHGILM2CON	3"	Inox	50
IFYHGIPLM2CON	3"	Polyester	50
IFYHGIDL2CON	3"	Disk	50



irritec

Cartridge 120mesh | Male Threaded with nut | 4pcs / box

### MODELS

TAB.1 Available mesh (x = available)

Ref.	Mesh	Micron	Inox	Polyester	Disk	Color
E	20	800	X	X	-	
F	30	500	X	X	-	
G	50	300	X	X	-	
H	75	200	X	X	-	
I	100	160	X	X	-	
L	120	130	X	X	X	
N	155	100	X	X	-	
P	200	80	X	X	-	

### YCV-YDV YEV-YFV

irritec

### YEV ONLINE PN10

Model	G	Cartridge	Flow
code	Inch	Type	m <sup>3</sup> /h
IFYEVEILM2CON	1 1/4"	Inox	10
IFYEVEPLM2CON	1 1/4"	Polyester	10
IFYEVEDLM2CON	1 1/4"	Disk	10
IFYEVFILM2CON	1 1/2"	Inox	10
IFYEVFPLM2CON	1 1/2"	Polyester	10
IFYEVFDLM2CON	1 1/2"	Disk	10



irritec

Cartridge 120mesh | Male Threaded | 10pcs / box

### YEV PN10 SWIVEL

Model	G	Cartridge	Flow
code	Inch	Type	m <sup>3</sup> /h
IFYEVFILW2CON	1 1/2"	Inox	10
IFYEVFPLW2CON	1 1/2"	Polyester	10
IFYEVFDLW2CON	1 1/2"	Disk	10



irritec

Cartridge 120mesh | Swivel Female Threaded 10pcs / box

### YFV ONLINE PN8

Model	G	Cartridge	Flow
code	Inch	Type	m <sup>3</sup> /h
IFYFVILM2CON	1 1/2"	Inox	20
IFYFVPLM2CON	1 1/2"	Polyester	20
IFYFVDLM2CON	1 1/2"	Disk	20
IFYFVILM2CON	2"	Inox	20
IFYFVPLM2CON	2"	Polyester	20
IFYFVDLM2CON	2"	Disk	20



irritec

Cartridge 120mesh | Male Threaded | 10 pcs/box

### YGF ONLINE PN8

Model	G	Cartridge	Flow
code	Inch	Type	m <sup>3</sup> /h
IFYFGILM2CON	2"	Inox	25
IFYFGPLM2CON	2"	Polyester	25
IFYFGDLM2CON	2"	Disk	25



irritec

Cartridge 120mesh | Male Threaded with S.S clamp 2pcs/box

### YHF ONLINE PN8

Model	G	Cartridge	Flow
code	Inch	Type	m <sup>3</sup> /h
IFYHFGILM2CON	2" super	Inox	25
IFYHFGPLM2CON	2" super	Polyester	25
IFYHFGDLM2CON	2" super	Disk	25
IFYHFILM2CON	3"	Inox	50
IFYHFPLM2CON	3"	Polyester	50
IFYHFIDL2CON	3"	Disk	50



irritec

Cartridge MS120 | Male Threaded with S.S clamp 4pcs / box

### MODELS

TAB.2 Available mesh (x = available)

Ref.	Mesh	Micron	Inox	Polyester	Disk	Color
H	75	200	X	X	X	
L	120	130	X	X	X	
N	155	100	X	X	X	

### YGG-YHG YGF-YHF

Closing Systems



irritec

