



RED LINE FILTERS



RED LINE FILTERS

A wide range of cost-effective solutions for specific applications and uses in agriculture and industry.

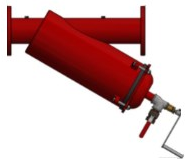
DROP

SPIN FILTER K



Model code	Inlet inch	Flow max m ³ /h
05-01-200	2"	31
05-01-250	2 ^{1/2} "	35
05-01-300	3"	40
05-01-400	4"	70
05-01-500	5"	120
05-01-311	6"	120
05-01-600	6"S	150
05-01-601	6"L	180
05-01-801	8"	180

BRUSH SPIN FILTER KRB



Model code	Inlet inch	Flow max m ³ /h
05-05-201	2"	31
05-05-251	2 ^{1/2} "	35
05-05-301	3"	40
05-05-401	4"	70
05-05-501	5"	120
05-05-601	6"	120
05-05-602	6"S	150
05-05-603	6"L	180
05-05-803	8"	180

SPRINKLER FILTER S



Model code	Inlet inch	Flow max m ³ /h
Ø1,5 mm		
05-04-056	2"	25
05-04-057	3"	50
05-04-058	4"	80
05-04-089	5"	150
05-04-059	6"	150

Also available
Ø1mm, Ø2mm, Ø2,5mm, Ø4mm

STRAINER FILTER SY



Model code	Inlet inch	Flow max m ³ /h
Ø1.5 mm		
05-12-202	2"	25
05-12-302	3"	45
05-12-402	4"	80
05-12-502	5"	110
05-12-602	6"	160
05-12-802	8"	300
05-12-112	10"	600
05-12-122	12"	850

Also available
Ø1mm, Ø1,5mm, Ø2mm, Ø2,5mm

SCREEN FILTER C



Model code	Inlet inch	Flow max m ³ /h
05-02-200	2"	23
05-02-202	2"L	30
05-02-250	2 ^{1/2} "	35
05-02-300	3"	40
05-02-400	4"	75
05-02-403	4"	90
05-02-600	6"	150

SCREEN FILTER C DOUBLE



Model code	Inlet inch	Flow max m ³ /h
05-02-203	2"	23
05-02-201	2"L	30
05-02-303	3"	40
05-02-401	4"	75

With double cartridge

SCREEN FILTER O



Model code	Inlet inch	Flow max m ³ /h
05-00-102	1"L	5
05-00-151	1 ^{1/2} L	12
05-00-200	2"	30
05-00-250	2 ^{1/2} "	35
05-00-300	3"	40
05-00-400	4"	80
05-00-500	5"	120
05-00-600	6"	120
05-00-601	6"S	150
05-00-602	6"L	180
05-00-802	8"	220

DISC FILTER D



Model code	Inlet inch	Flow max m ³ /h
05-03-200	2"	25
05-03-300	3"	50
05-03-400	4"	80





RED LINE FILTERS

DROP

HYDROCYCLONE Y



Model	Inlet	Flow max
MINI	inch	m ³ /h
05-06-025	1/2"	3
05-06-034	3/4"	5
05-06-100	1"	12
05-06-150	1 1/2"	16

HYDROCYCLONE Y



Model	Inlet	Flow max
STANDARD	inch	m ³ /h
05-06-400	4"	80
05-06-401	4"F	80
05-06-500	5"F	150
05-06-600	6"F	150

HYDROCYCLONE HCY



Model	Inlet	Flow max
NEW	inch	m ³ /h
05-06-205	2"	25
05-06-255	2 1/2"	35
05-06-305	3"	50

FERTILIZER TANK L



Model	Inlet	Capacity
Vertical	inch	lt
05-07-030	1/2"	30
05-07-060	3/4"	60
05-07-090	3/4"	90
05-07-120	3/4"	120
05-07-160	3/4"	160
05-07-220	3/4"	220
Horizontal		
05-07-222	3/4"	220
05-07-300	3/4"	300
05-07-600	2"	600

COMPACT SYSTEM KE



Model	Inlet	Flow max
O filter	inch	m ³ /h
05-10-100	1"	12
05-10-150	1 1/2"	16
05-10-200	2"	25
05-10-250	2 1/2"	35
05-10-300	3"	50
05-10-400	4"	80
K filter		
05-10-201	2"	25
05-10-253	2 1/2"	35
05-10-303	3"	50
05-10-404	4"	80
K filter brush		
05-10-203	2"	25
05-10-255	2 1/2"	35
05-10-307	3"	50
05-10-407	4"	80
05-10-501	5"	120
05-10-602	6"	150
05-10-802	8"-2x6"	300
05-10-607	6"-2x4"	160
05-10-807	8"-3x4"	180

METAL PIPES



Model code	Inlet inch	Outlet type
MTP150	1 1/2"	MT
MTP200	2"	MT
MTP250	2 1/2"	MT
MTP300	3"	MT
MTP400	4"	MT
MTP400F	4"	FL

MT: Male Threaded, FL: Flanged

CONTROL HEAD



Model code	Inlet inch	Connection type
FCH150	1 1/2"	MT
FCH200	2"	MT
FCH250	2 1/2"	MT
FCH300	3"	MT
FCH400	4"	MT
FCH401	4"	FL

MT: Male Threaded FL: Flanged

SELF-CLEANING SUCTION FILTER AF



Model code	Inlet inch	Flow max	Filtration	Washing Flow	Washing Pressure
		m ³ /h	m ³ /h	m ³ /h	m ² /h
			1500µm		
			2500µm		
05-09-400	4"	80	100	5	2-3
05-09-600	6"	180	230	5	2-3
05-09-800	8"	300	380	5	2-3
05-09-110	10"	420	550	6.5	2-3
05-09-120	12"	600	750	6.5	2-3
05-09-140	14"	800	1000	6.5	2-3
05-09-160	16"	1000	1200	6.5	2-3
05-09-200	20"				

Also available in 2500 micron



DROP

SAND FILTER X



SINGLE UNIT code	MANUAL KIT code	In/Out inch	Diameter inch	Nominal Flow m ³ /h	River Flow m ³ /h	Sand kgs
05-08-101	BP-12-001	1"	12"	4	2,5	50
05-08-111	BP-16-001	1"	16"	8	4,5	75
05-08-152	BP-15-001	1 1/2"	18"	9	5,5	100
05-08-202	BP-20-001	2"	20"	12	7,0	125
05-08-302	BP-24-001	3"	24"	17	10	225
05-08-485	BP-30-001	3"	30"	27	16	375
05-08-338	BP-36-001	3"	36"	40	23	450
05-08-450	BP-48-001	4"	48"	70	40	825
05-08-339	—	3"F	36"	50	26	450
05-08-340	—	4"F	48"	75	46	825

SAND code	Size mm
06-03-001	1.2-2.4
06-03-003	0.5-0.8
06-03-004	0.8-1.2
06-03-006	3.0-6.0

packed in 25kg bags



FOR COMPLETE SET: SINGLE UNIT + MANUAL KIT + SAND

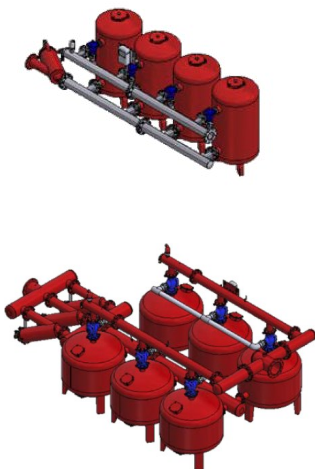
DUAL CHAMBER SAND FILTER XDC



SINGLE UNIT code	MANUAL KIT code	AUTO KIT code	In/Out inch	Dia. mm	Area m ²	Nominal Flow m ³ /h	River m ³ /h	Sand kgs
05-08-155	BP-25-001	BP-25-002	1 1/2"	Ø450	0,38	24	14	175
05-08-212	BP-22-001	BP-22-002	2"	Ø600	0,75	45	26	300
05-08-488	BP-33-011	BP-33-012	3"	Ø750	1,00	66	38	575
05-08-472	BP-44-101	BP-44-103	4"	Ø900	1,60	96	56	850
05-08-459	BP-47-001	BP-47-003	5"	Ø900	1,60	120	80	850

FOR COMPLETE MANUAL SET: SINGLE UNIT + MANUAL KIT + SAND
FOR COMPLETE AUTO SET: SINGLE UNIT + AUTO KIT + SAND

SAND FILTER BATTERY BX



MANUAL code	AUTO code	System no x dia	In Out inch	Surface m ²	Nominal Flow m ³ /h	River m ³ /h	Canal m ³ /h	Waste Water m ³ /h
BX-20-200	BX-20-201	2X20"	3"	0.40	30	16	12	8
BX-20-300	BX-20-301	3X20"	4"	0.60	40	24	18	12
BX-24-200	BX-24-201	2X24"	3"	0.56	45	22	17	11
BX-24-300	BX-24-301	3X24"	4"	0.84	65	34	25	17
BX-36-200	BX-36-201	2X36"	4"	1.30	80	52	39	26
BX-36-300	BX-36-301	3X36"	6"	1.95	150	78	59	39
BX-36-400	BX-36-401	4X36"	6"	2.60	200	104	78	52
BX-36-500	BX-36-501	5X36"	6"	3.25	250	130	98	65
—	BX-36-601	6X36"	8"	3.90	300	156	117	78
BX-48-200	BX-48-201	2X48"	6"	2.30	140	92	69	46
BX-48-300	BX-48-301	3X48"	6"	3.45	210	138	104	69
BX-48-400	BX-48-401	4X48"	8"	4.60	270	184	138	92
BX-48-500	BX-48-501	5X48"	8"	5.75	330	230	173	115
—	BX-48-601	6X48"	10"	6.90	420	276	207	138
—	BX-48-801	8X48"	10"	9.20	560	368	276	184
—	BX-48-101	10X48"	12"	11.50	700	460	345	230
—	BX-48-121	12X48"	12"	13.80	840	552	414	276
—	BX-48-141	14X48"	14"	16.10	980	644	483	322
—	BX-48-161	16X48"	16"	18.40	1120	736	552	368
—	BX-48-181	18X48"	16"	20.70	1260	828	621	414
—	BX-48-241	24X48"		27.60	1680	1104	828	552

Complete Battery WITH BACK-UP FILTERS | Sand NOT included